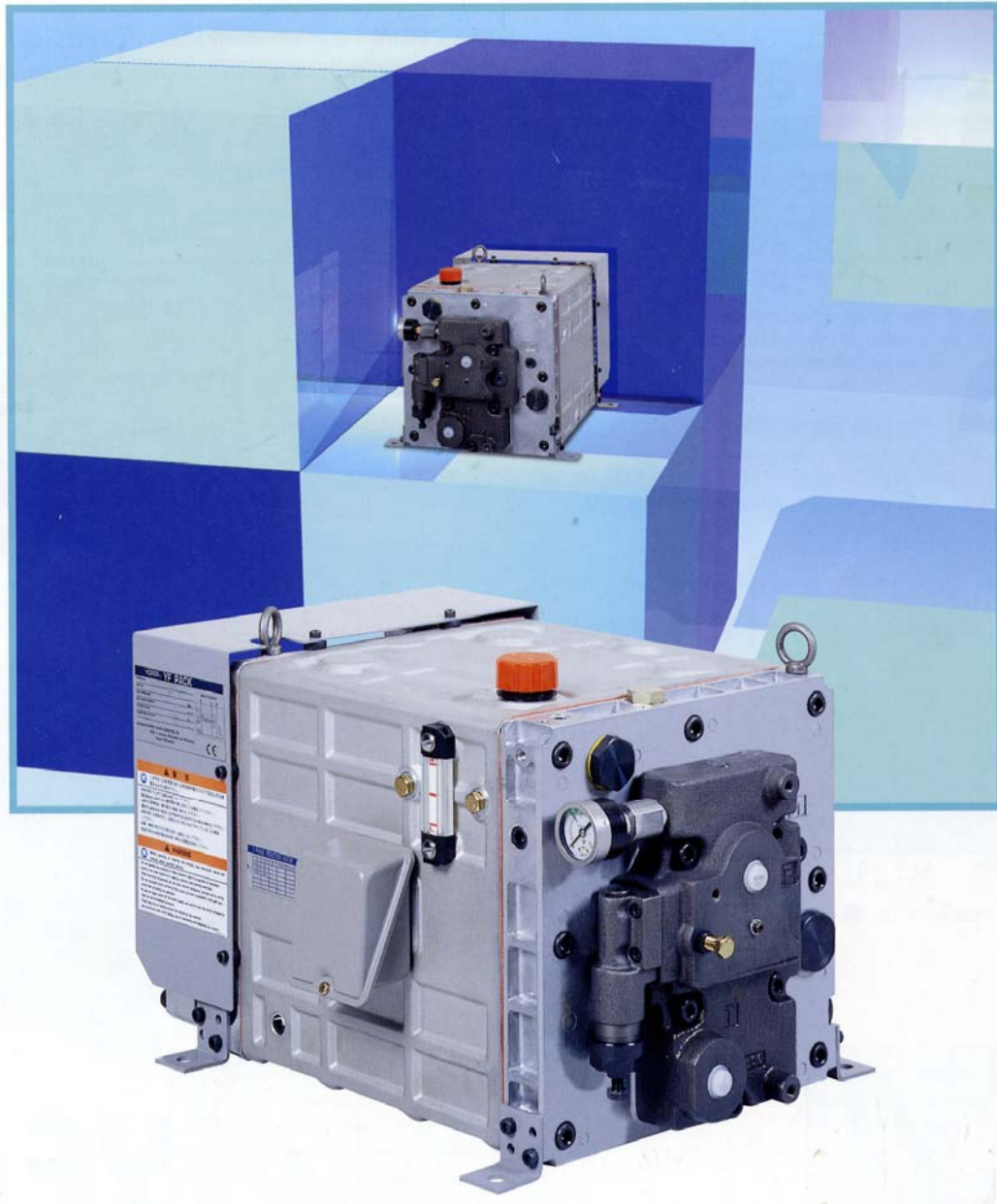


YUKEN

ALA Industries Limited
1150 Southpoint Drive, Ste. D
Valparaiso, IN 46385-6236
Tel: 219-465-4197
Toll Free: 877-419-8536
Fax: 219-477-4194
www.yuken-usa.com

YF-PACK



Compact & Cubic Hydraulic Power Units Come Into The World

Space Saving & Low Noise

The Keywords are Cubic Structure

YF-PACK is a cubic integrated construction with a piston pump, electric motor and reservoir, etc. Each function module linked directly together has allowed us to realize our pipeless concept which means no oil leakage

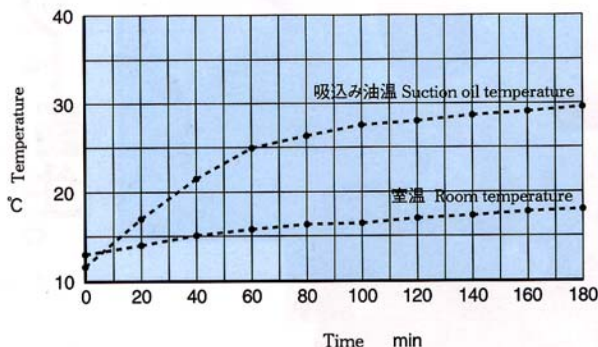
Energy Saving & Low Temperature Rise

YF-PACK saves 10% of their energy consumption compared to YP-PACK.

- Improved cooling capacity
- Reduced thermal radiation
- Machines with YF-PACK built in are

Temperature Rise

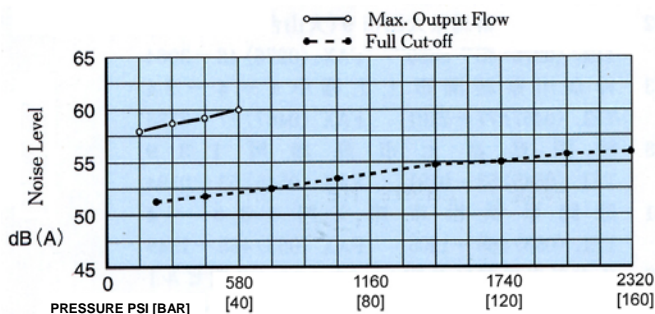
- Model Number: YF16-B-1-2.2-20
- Frequency: 50 Hz
- Full cut-off pressure: 1000 psi



Noise Level 53dB (A) And Low Vibration

We took advantage of the best of our hydraulic technology to take out noise and vibration. Yuken has achieved a noise level of **53dB (A)**.

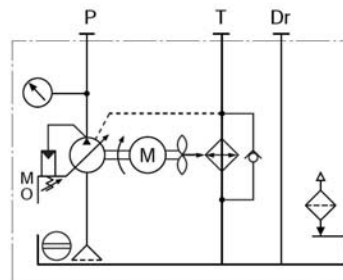
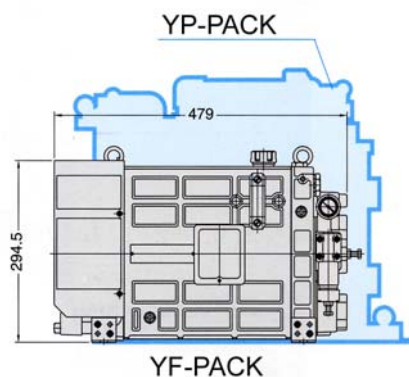
- Model number: YF16-C-1-1.5-20
- Measured one meter horizontally away from YF-PACK (Average of 5 directions)
- Viscosity: 32mm²/a (cSt) (ISO VG32)



Set Up Space Halved

The smaller size and lighter weight of our unique cubic structure make the YF-PACK easy to build into various machines. (Compared to traditional YP-PACK.)

- Volume Reduced **50%** (Compared to YP-Pack)
- Weight reduced **30%** (Compared to YP-Pack)



Available for Water Containing Fluids

The standard products are available for both petroleum based oil and water containing fluids. They have various accessories (Solenoid Operated Directional Valves, Thermo Sensors, Pressure Switch, etc.)

Model Number	Geometric Displacement In ³ /rev [cm ³ /rev]	Max. Operating Pressure	Pressure Adjustment Range PSI [Bar]	Reservoir Capacity Gal.	Electric Motor 50 hz : AC200V 60 hz :	Mass (Lb [Kg]) Does not include
YF10-*-1-0.75-*-**-20	[10.0]	2320 [160]	B: 174-1015 [12-70]	2.6 [10]	0.75kW x 4P	97 [44]
YF10-*-1-1.5-*-**-20						
YF16-*-1-1.5-*-**-20	0.96	[15.8]	C: 290-2320 [20-160]	5.3 [20]	2.2kW X 4P	112 [51]
YF16-*-1-2.2-*-**-20						
YF16-*-2U-2.2-*-**-20						
YF16-*-2S-2.2-*-**-20						

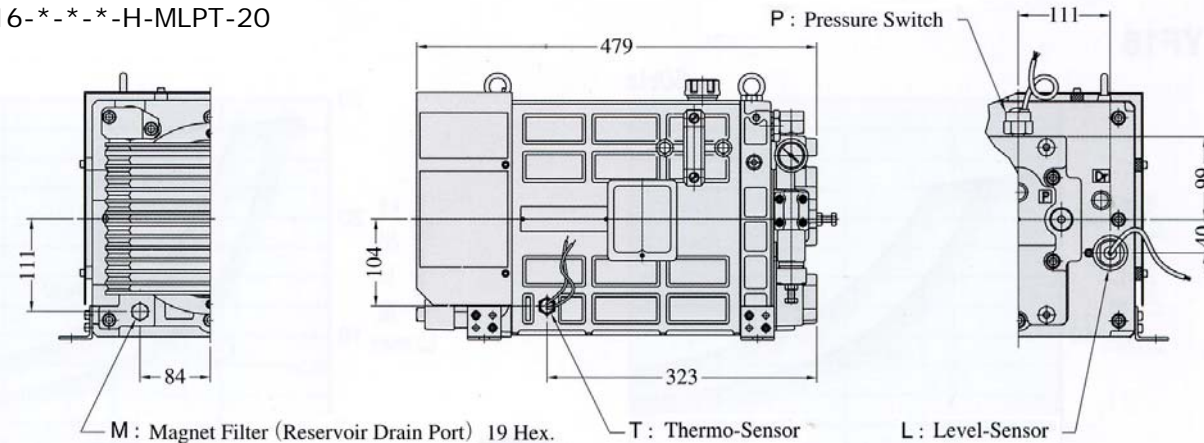
MODEL NUMBER DESIGNATION

YF	16	-B	-1	-1.5	-H	-1	1	-MLPT	-20
Series Number	Geometric Displacement	Pressure Adjustment Range PSI [Bar]	Reservoir Capacity Gal. [Liters]	Electric Motor	Position	Base Block Size	Number of Base Block Stations	Options	Design Number
YF: YF-PACK	In ³ /rev [cm ³ /rev] 10: 0.61 [10.0]	B: 174-1015 [12-70]	1: 2.6 [10]	0.75: 0.75kW x 4P	H: Horiz	None: Without Base Block		Choose options described below (Omit if not req.) M: Magnet Filter L: Level Sensor P: Pressure Switch T: Thermo Sensor	20: JIS
	16: 0.96 [15.8]	B: 174-1015 [12-70]	1: 2.6 [10]	1.5: 1.5kW X 4P 2.2: 2.2kW X 4P		1: Size 01 1: 1 Station	2090: NPT req.)		2030: *3
		C: 290-2320 [20-160]	2U: 5.3 [20] *1 2.2: 2.2kW X 4P	5: Size 03 2: 2 Station		20950:			
			2S: 5.3 [20] *2	3: 3 Station		SAE			

*1: With Upper Reservoir *2: With Lateral Reservoir
*3: When Water Glycol Fluid is used, Specify Design 2030 (JIS Only)

(-MLPT) Options

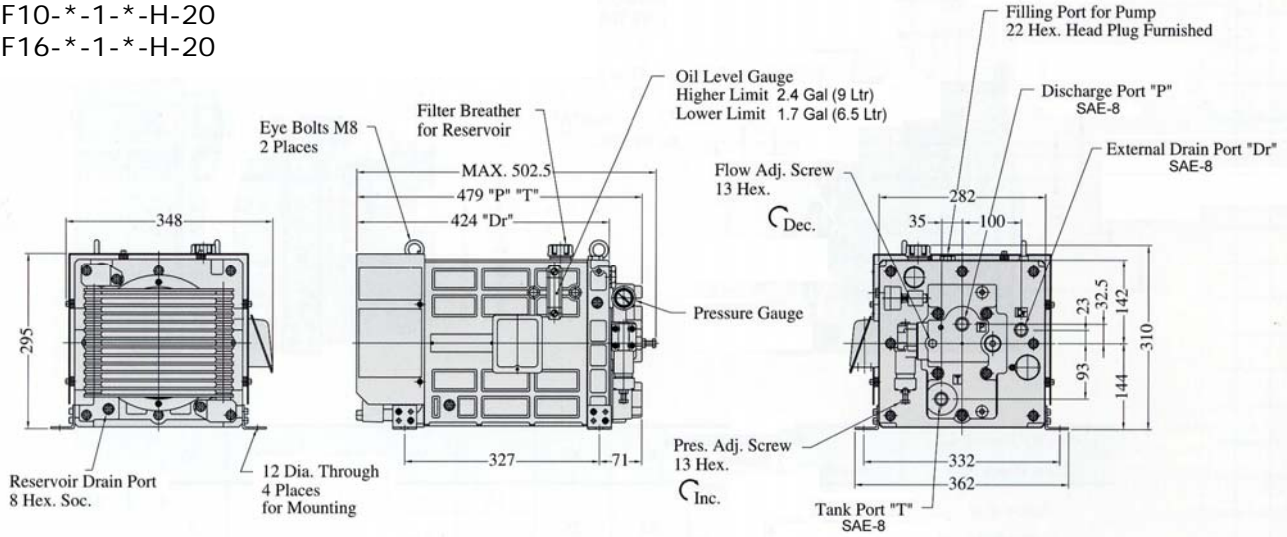
YF10-*-**-H-MLPT-20
YF16-*-**-H-MLPT-20



Horizontal Position (without base block)

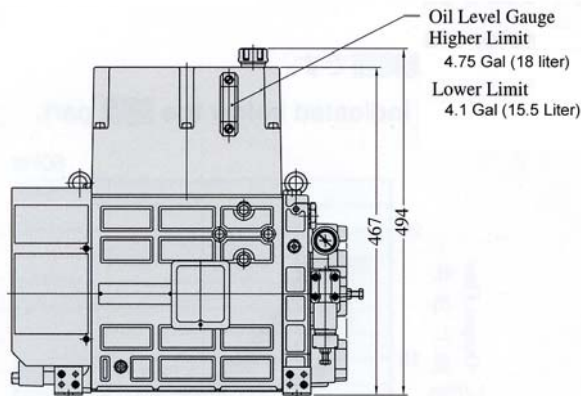
YF10-* -1-* -H-20

YF16-* -1-* -H-20



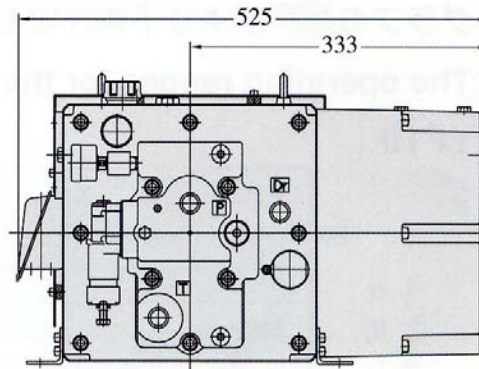
DIMENSIONS (millimeters)

YF16-* -2U-* -H-20



DIMENSIONS (millimeters)

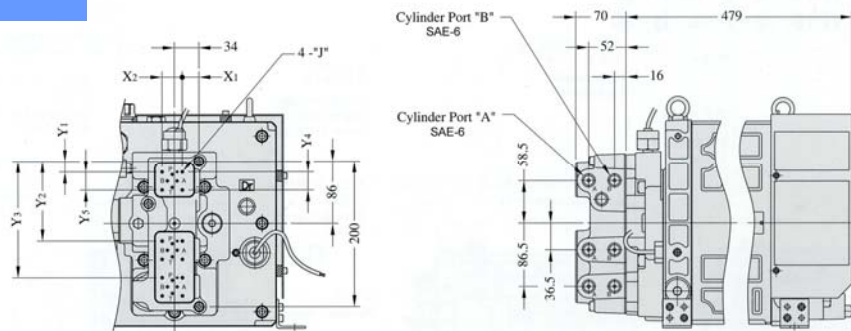
YF16-* -2S-* -H-20




With Base Block

YF10-* -*-*-11~53-****-20

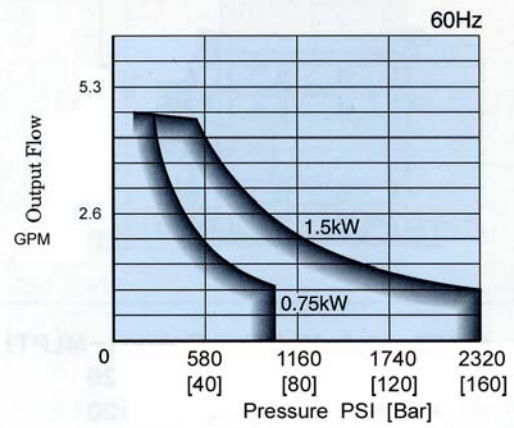
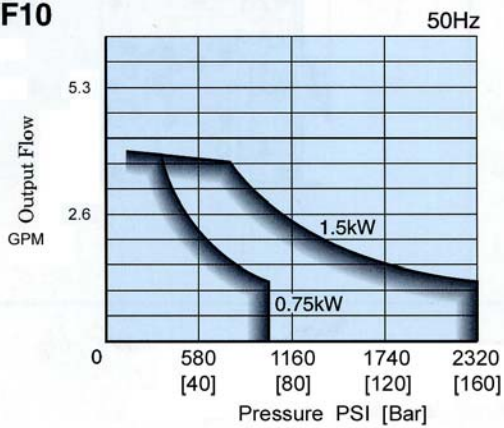
YF16-* -*-*-11~53-****-20



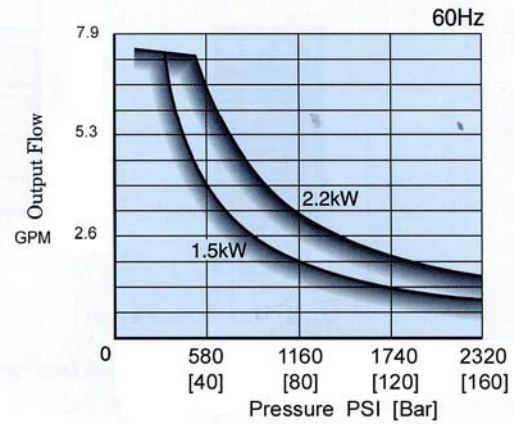
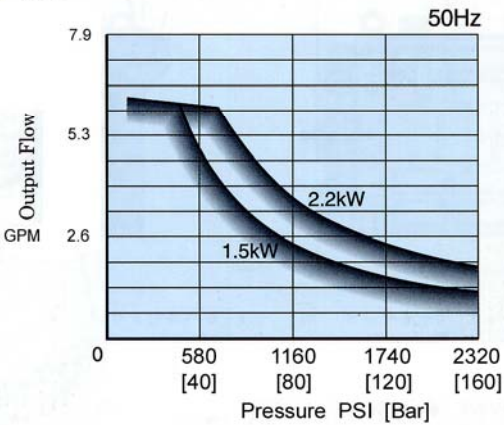
Base Block Size	Number of Stations	X1	X2	Y1	Y2	Y3	Y4	Y5	J
Size 005	1: 1 Station	23	28	15	—	—	25	25	M4
	2: 2 Stations			—	110	160			
	3: 3 Stations			15					
Size 01	1: 1 Station	13.5	40.5	10.5	—	—	31	32.5	M5
	2: 2 Stations			—	31	32.5			
	3: 3 Stations			10.5					

The operating ranges for the rated power of the motor are listed below the  part

YF10



YF16



More Information

For more information about the **YUKEN** YF-PACK, please contact the Yuken distributor listed below or contact the Yuken Master Distributor for North America, ALA Industries Limited, at 219-465-4197 (Toll Free: 877-419-8536).

LOCAL DISTRIBUTOR:

NOTES